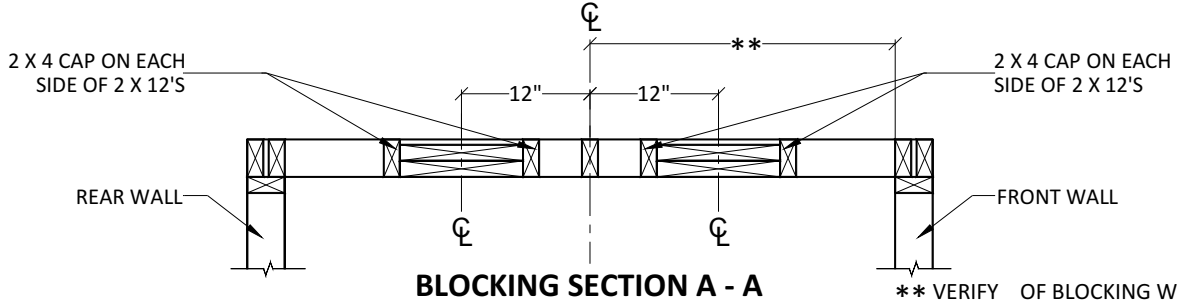
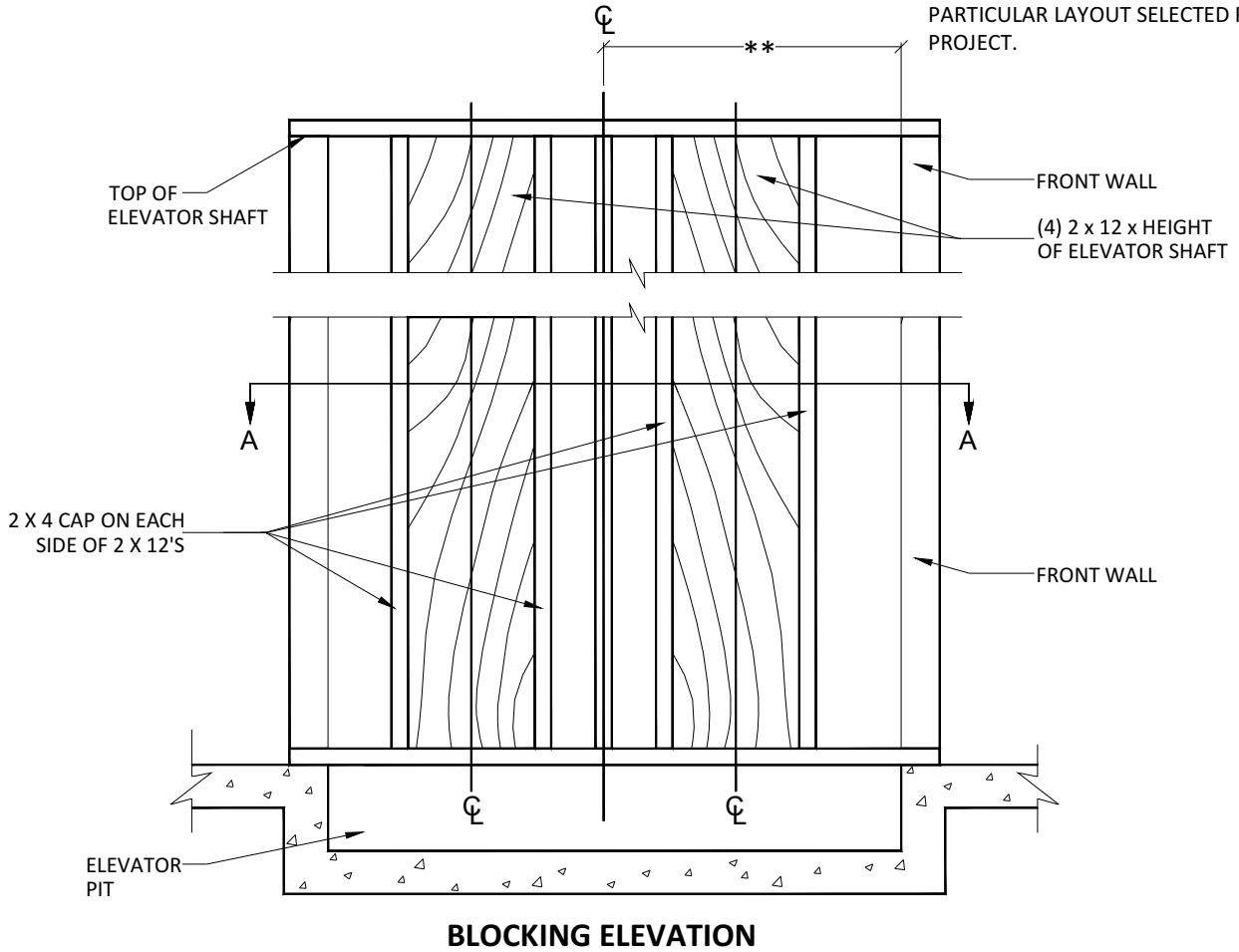


HOME ELEVATORS DIRECT, LLC

CONTRACTOR RESPONSIBILITY
 TO ENSURE ADEQUATE SUPPORTS IN WALL
 FOR GUIDE RAIL FASTENINGS, DO NOT
 EXCEED 12'-0" VERTICAL INTERVALS.



** VERIFY OF BLOCKING WITH PLAN VIEW DRAWING FOR THE EXACT LOCATION OF BLOCKING BASED ON PARTICULAR LAYOUT SELECTED FOR PROJECT.



PROPRIETARY AND CONFIDENTIAL

DRAWING NAME:

DRAWING NUMBER:

THE INFORMATION CONTAINED IN THIS DRAWING IS THE SOLE PROPERTY OF "HOME ELEVATORS DIRECT, LLC" ANY REPRODUCTION IN PART OR AS A WHOLE WITHOUT THE WRITTEN PERMISSION OF "HOME ELEVATORS DIRECT, LLC" IS STRICTLY PROHIBITED.

**BLOCKING
DETAIL**

**HED_STANDARD.
BLOCKINGDETAIL**