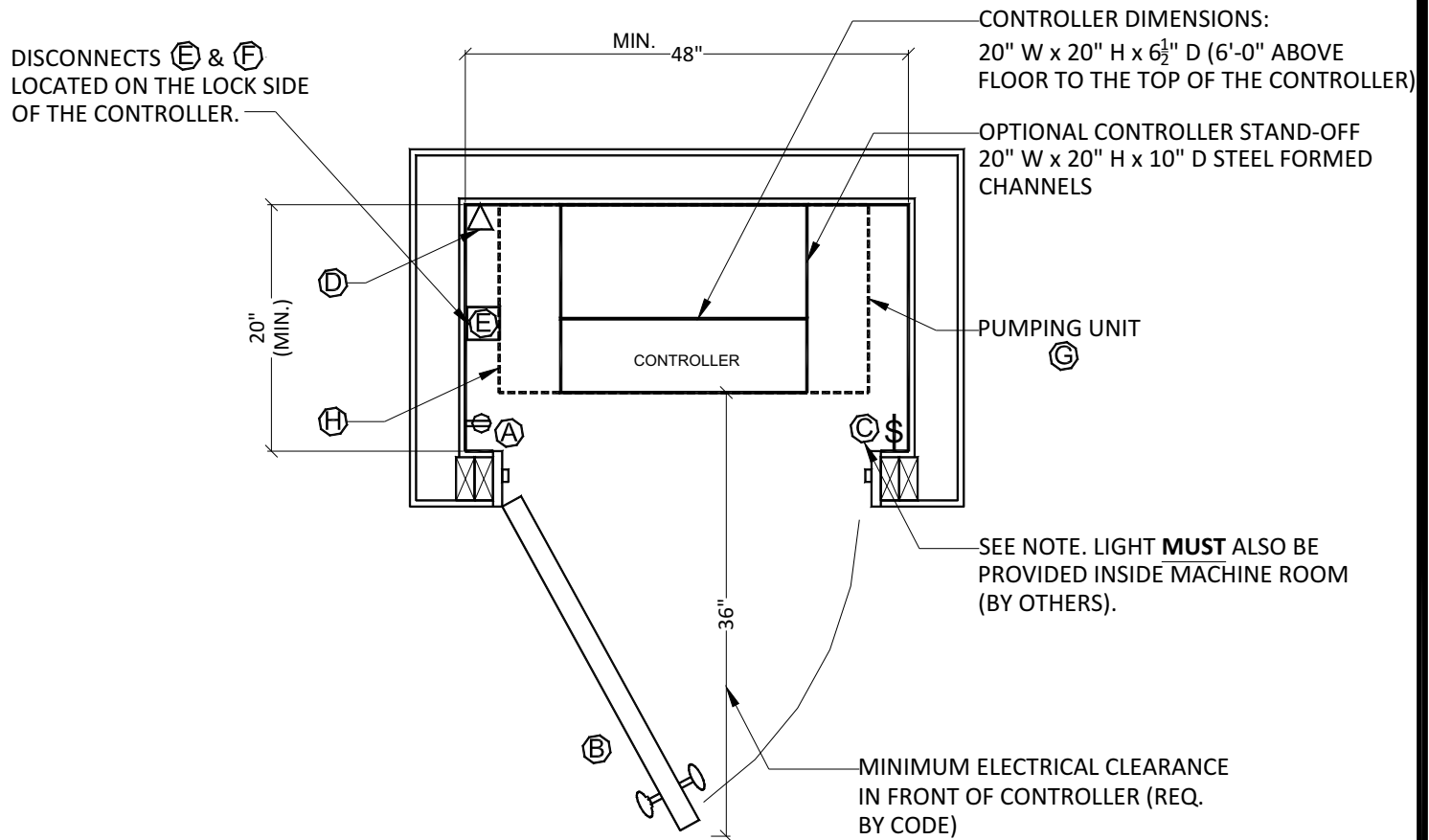


HOME ELEVATORS DIRECT, LLC



ALTERNATE MACHINE ROOM PLAN VIEW

SCALE - NOT TO SCALE

NOTE: ALL DIMENSIONS ARE APPROXIMATE

ADDITIONAL INFORMATION / NOTES:

- (A)** A GFI RECEPTACLE IS TO BE PROVIDED IN THE ELEVATOR MACHINE ROOM/ SPACE PER NEC-2002 (BY OTHERS).
- (B)** MACHINE ROOM DOOR TO BE A MINIMUM OF 30" WIDE AND SWING OUTWARD (BY OTHERS).
- (C)** LIGHT SWITCH TO BE INSTALLED ADJACENT TO LOCK SIDE OF THE DOOR AND LIGHT **MUST** BE PROVIDED INSIDE MACHINE ROOM (BY OTHERS).
- (D)** PROVIDE A DEDICATED PHONE LINE TO THE ELEVATOR MACHINE ROOM AND INSTALL IN A 4" X 4" BOX WITH COVER. MUST HAVE A MIN. 10'-15' TAIL (BY OTHERS).
- (E)** 230 VAC, 2 POLE, SINGLE PHASE, FUSED DISCONNECT WITH 30 AMP RK-5 FUSES PER NEC-2002 (BY OTHERS) SEE HED-WORK BY OTHERS DOCUMENT FOR RECOMMENDED MFG.'S AND PART #'S.
- (F)** PROVIDE 120 V, FUSED DISCONNECT OR 15 AMP CIRCUIT BREAKER FOR ELEVATOR CAB INTERIOR LIGHT(S), LOCKABLE IN THE OPEN POSITION, PER NEC-2002 (BY OTHERS).
- (G)** FLOOR MOUNT PUMPING UNIT DIMENSIONS: 16¾" D x 28¾" L x 26¾" H (ON PADS).
- (H)** 5'-0" MINIMUM HEADROOM REQUIRED FOR ELEVATED PLATFORMS / STANDS.

PROPRIETARY AND CONFIDENTIAL

DRAWING NAME:

DRAWING NUMBER:

THE INFORMATION CONTAINED IN THIS DRAWING IS THE SOLE PROPERTY OF "HOME ELEVATORS DIRECT, LLC" ANY REPRODUCTION IN PART OR AS A WHOLE WITHOUT THE WRITTEN PERMISSION OF "HOME ELEVATORS DIRECT, LLC" IS STRICTLY PROHIBITED.

**ALTERNATE
MACHINE ROOM**

**HED_MR2
ALTERNATE**